

INTEGRATED CONNECTOR MODULES

0838-1X1T-W6 Power over Ethernet Plus Single Port MagJack® with LEDs



LED1 POLARITY			LED2 POLARITY		
PIN 17	PIN 18	COLOR	PIN 19	PIN 20	COLOR
-	+	YELLOW	-	+	GREEN
			+	-	ORANGE

ELECTRICAL CHARACTERISTICS @ 25°C

URNS RATIO

TP1 1CT : 1CT ±2%
 TP2 1CT : 1CT ±2%

QCL @ 100kHz, 20mVRMS AND 24mA DC BIAS FROM 0°C TO 70°C = 350uH MIN.
 PAIRS (1-2) AND (3-6).

INS. LOSS

0.1MHz TO 1MHz -0.8 dB MAX
 1MHz TO 65MHz -0.6 dB MAX
 65MHz TO 100MHz -0.8 dB MAX
 100MHz TO 125MHz -1.7 dB MAX

RET. LOSS (MIN)

0.5MHz-40MHz -18 dB
 40MHz-100MHz -12+20LOG(f/80MHz) dB

CROSS TALK

100kHz - 1MHz -60 dB MIN.
 1MHz - 100MHz -35 dB MIN.

CM TO CM REJ

100kHz - 100MHz -30 dB MIN

CM TO DM REJ

100kHz - 100MHz -25 dB MIN

HIPOT (Isolation Voltage)

2250 VDC

LED 1

V_F (FORWARD VOLTAGE) IF=20mA YELLOW 2.1V TYP.
 λ_D (DOMINANT WAVELENGTH) IF=20mA YELLOW 590nm TYP.

LED 2

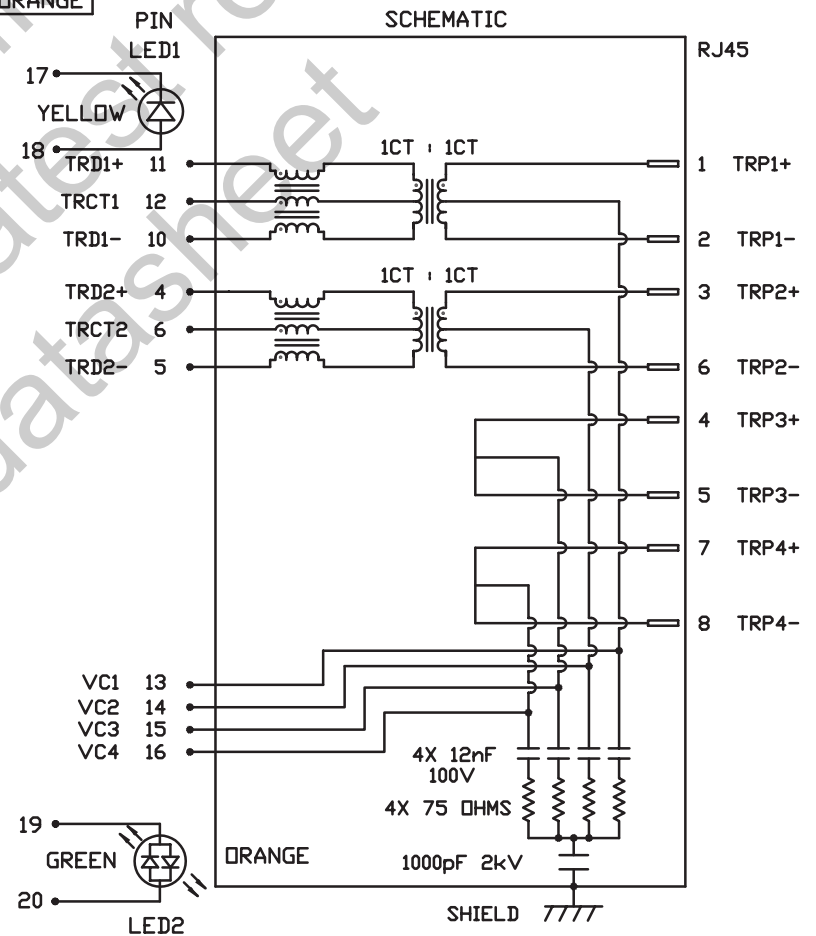
V_F (FORWARD VOLTAGE) IF=20mA GREEN 2.2V TYP.
 ORANGE 2.0V TYP.
 λ_D (DOMINANT WAVELENGTH) IF=20mA GREEN 565nm TYP.
 ORANGE 610nm TYP.

DCR PINS CABLE SIDE (1-2) AND (3-6)

1.0 OHMS MAX.

BALANCED DC LINE CURRENT 700 mA MAX. @ 57 VDC CONTINUOUS

1.2A MAX. @ 57 VDC FOR 200 MILLISECONDS

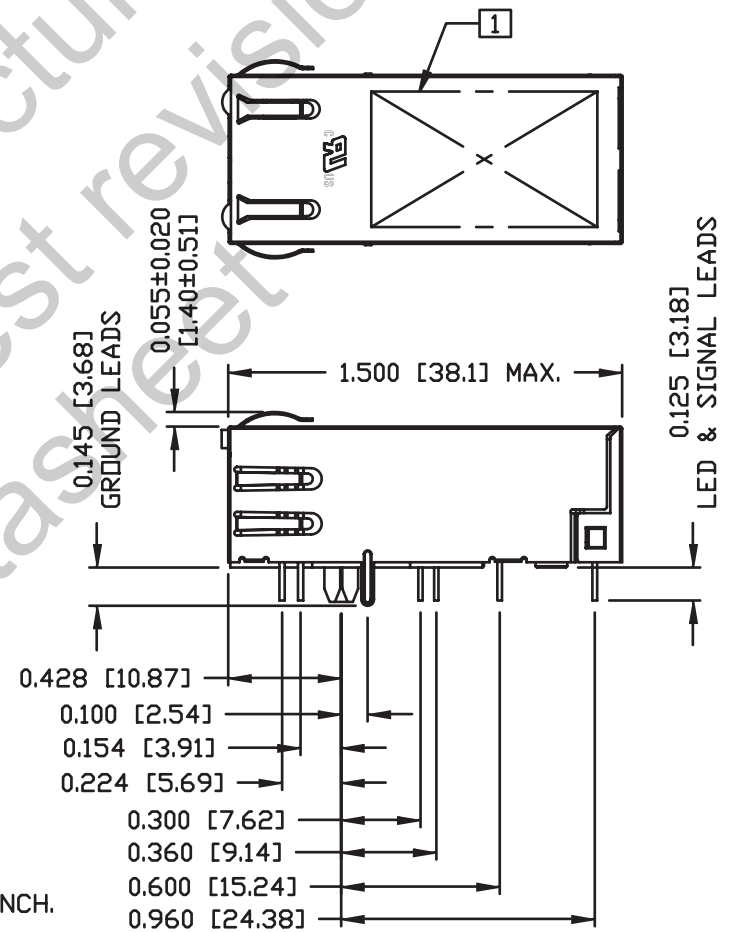
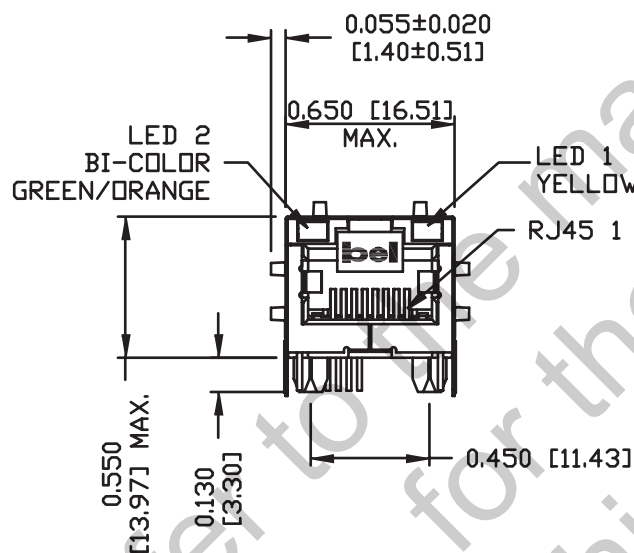


INTEGRATED CONNECTOR MODULES

0838-1X1T-W6 Power over Ethernet Plus Single Port MagJack® with LEDs



MECHANICAL SPECIFICATION



NOTES:

- PLASTIC HOUSING: THERMOPLASTIC PBT.
FLAMMABILITY RATING UL 94V-0.
- CONTACTS: 50 MICRO-INCH HARD GOLD PLATING.
- OUTPUT PINS: TIN-COATED COPPER WIRE, DIA 0.018 INCH AND 0.016 INCH.
- METAL SHIELD: NICKEL PLATED ON COPPER ALLOY.
- (ALL GROUND LEADS ARE SOLDER DIPPED)

[1] MARK PART WITH MFG LOGO, MFG NAME, PART NUMBER, AND DATE CODE.

us UL RECOGNIZED - FILE #E196366 AND E169987.

RoHS COMPLIANT, PER EU DIRECTIVE 2002/95/EC

JACK CAVITY CONFORMS TO FCC RULES AND REGULATIONS.

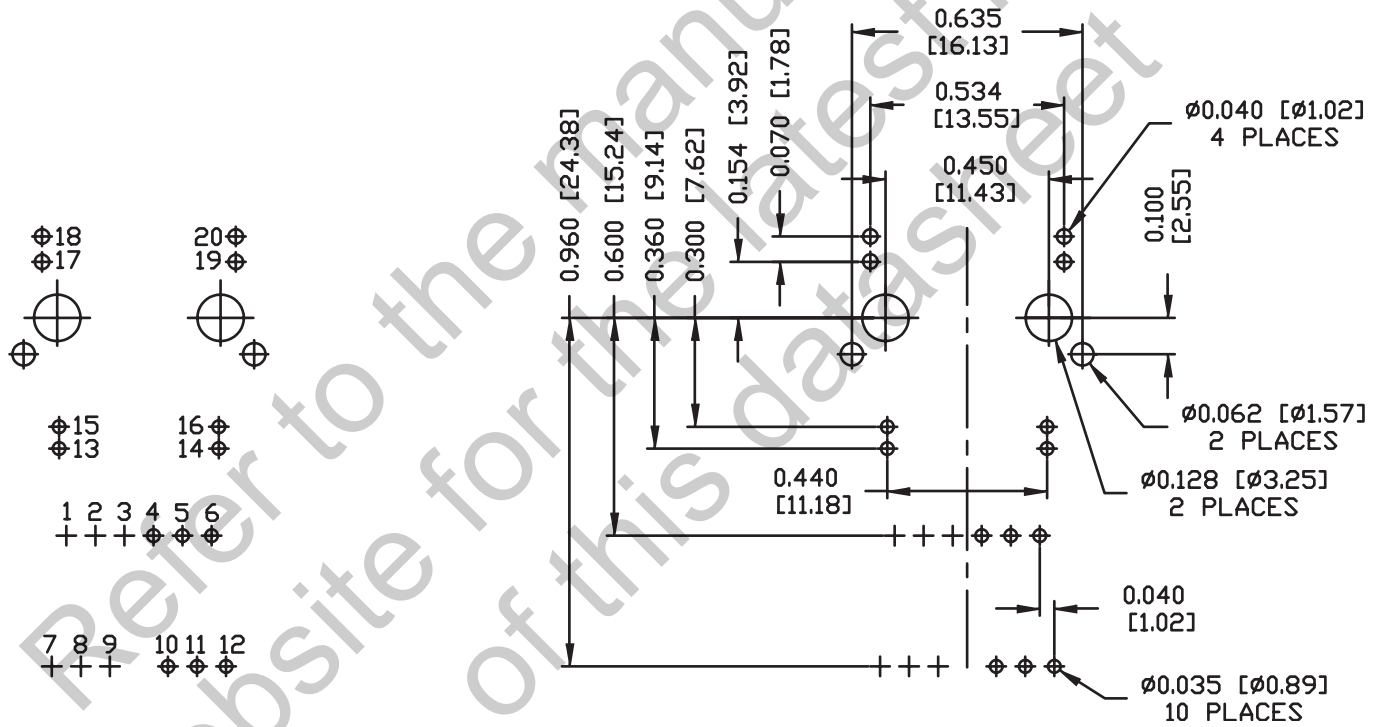
INTEGRATED CONNECTOR MODULES

0838-1X1T-W6 Power over Ethernet Plus Single Port MagJack® with LEDs



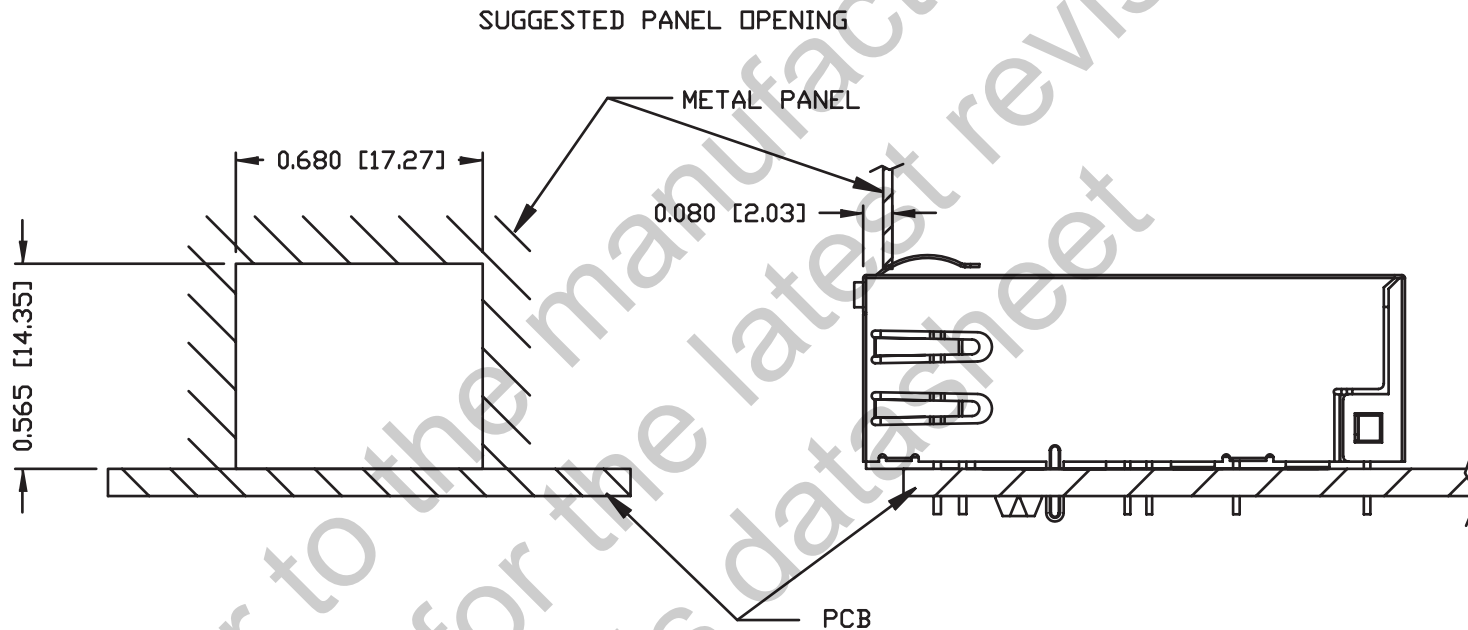
RECOMMENDED PCB FOOTPRINT

COMPONENT SIDE VIEW



INTEGRATED CONNECTOR MODULES

0838-1X1T-W6 Power over Ethernet Plus Single Port MagJack® with LEDs



NOTE:

THE DISTANCE OF PANEL INSIDE SURFACE RELATIVE TO FRONT SURFACE OF PART IS ONLY A SUGGESTION. IN CASE THIS DISTANCE IS DIFFERENT, THE REQUIRED PANEL OPENING DIMENSIONS CHANGE ACCORDINGLY.

PACKING INFORMATION

PACKING TRAY : 0200-9999-R3 (TOP)
0200-9999-R4 (BOTTOM)

PACKING QUANTITY : 42 PCS FINISHED GOODS PER TRAY
10 TRAYS (420 PCS FINISHED GOODS) PER CARTON BOX

NOTE : CARDBOARDS ARE PLACED BETWEEN LAYERS OF PACKING TRAY INSIDE CARTON BOX
(INCLUDE THE UPPERMOST AND LOWERMOST TRAY)