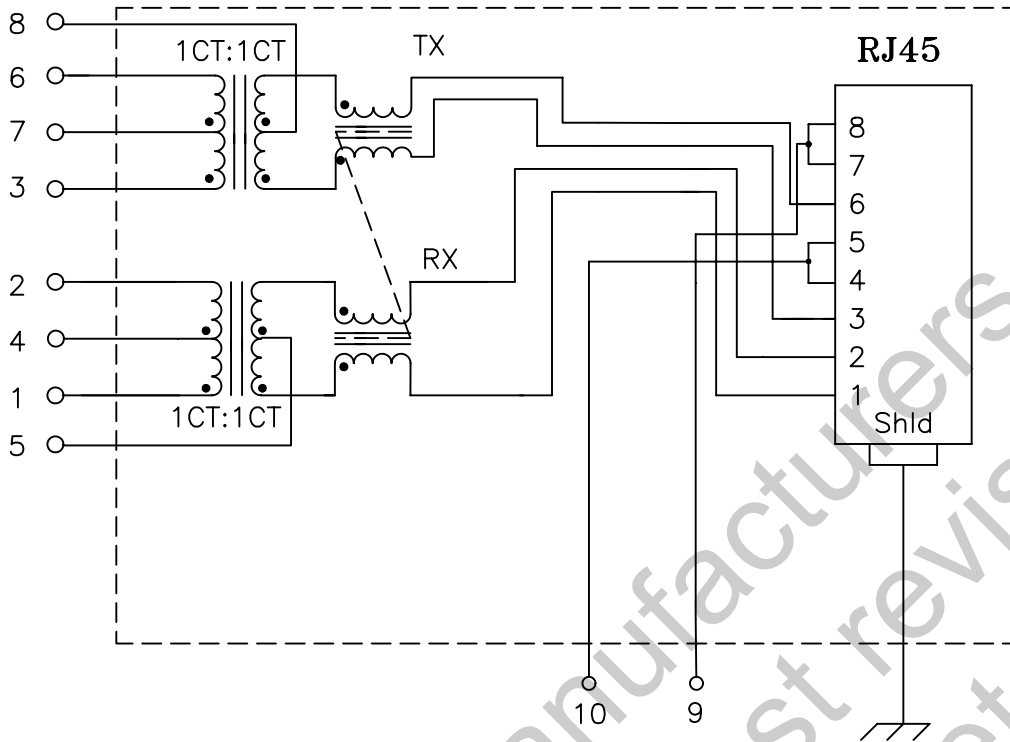


**Schematic:**



**Electrical Specifications: @25°C**

Isolation Voltage: 1500 Vrms (Input to Output)  
 Isolation Voltage: 500 Vrms (P1+2+4 to P3+6+7)  
 Turns Ratio: TX 1CT:1CT ±3% RX 1CT:1CT ±3%  
 Insertion Loss: 1.2dB Max @1-100 MHz  
 Return Loss: 1-30MHz 40MHz 50MHz 60-80MHz  
 16dB 14dB 13dB 12dB (Min)  
 Differential to Common Mode Rejection:  
 30MHz 60MHz 100MHz  
 50dB 43dB 35dB (Min)  
 Cross Talk: 30MHz 60MHz 100MHz  
 43dB 37dB 33dB (Min)  
 DC Current: 350mA

**Notes:**

1. Solderability: Leads shall meet MIL-STD-202, Method 208D for solderability.
2. Flammability: UL94V-0
3. ASTM oxygen index: > 28%
4. Temperature rating: 155°C. UL file E151556
5. Operating Temperature Range: All listed parameters are to be within tolerance from -40°C to +85°C

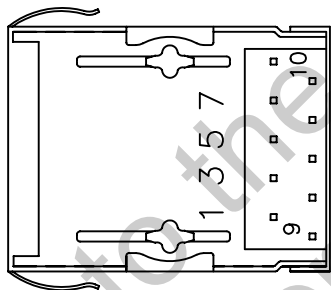
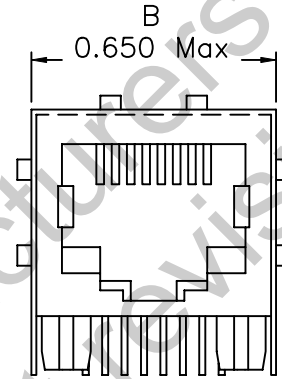
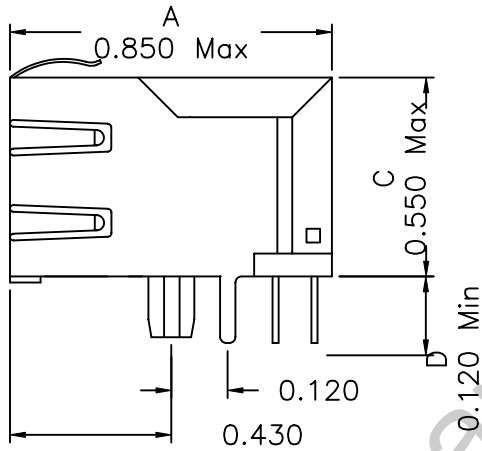
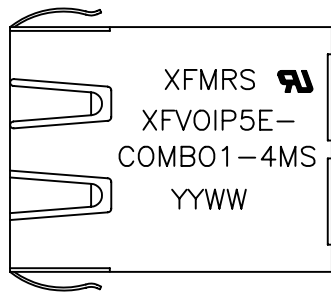
DOC. REV: A/5

<b>XFMRs Inc.</b>	Title: Mechanical Dimensions For COMBO1-4MS Series		
	UNLESS OTHERWISE SPECIFIED		P/N: XFVOIP5E-COMBO1-4MS
TOLERANCES: .xxx ±0.010 Dimensions in Inch		REV. A	
		DWN.	罗振江 Jun-24-04
SHEET 1 OF 2		CHK.	廖玉坤 Jun-24-04
		APP.	MS Jun-24-04

**PROPRIETARY:**

Document is the property of XFMRs Group & is not allowed to be duplicated without authorization.

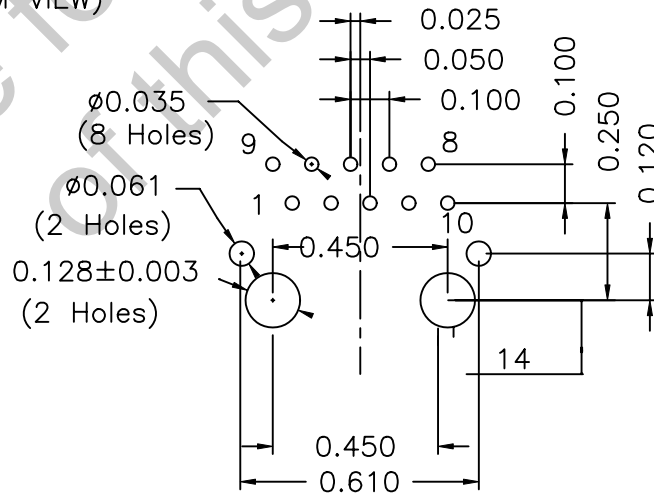
Mechanical Dimensions:



(BOTTOM VIEW)

Mounting Pattern:

(FOR COMBO1-4MS)  
(COMP SIDE)



DOC. REV: A/5

XFMRS Inc.	Title: Mechanical Dimensions For COMBO1-4MS Series		
	UNLESS OTHERWISE SPECIFIED TOLERANCES: .xxx ±0.010 Dimensions in Inch	P/N: XFVOIP5E-COMBO1-4MS	REV. A
SHEET 2 OF 2	DWN.	罗振江	Jun-24-04
	CHK.	廖玉坤	Jun-24-04
	APP.	MS	Jun-24-04

**PROPRIETARY:**  
Document is the property of XFMRS Group & is not allowed to be duplicated without authorization.