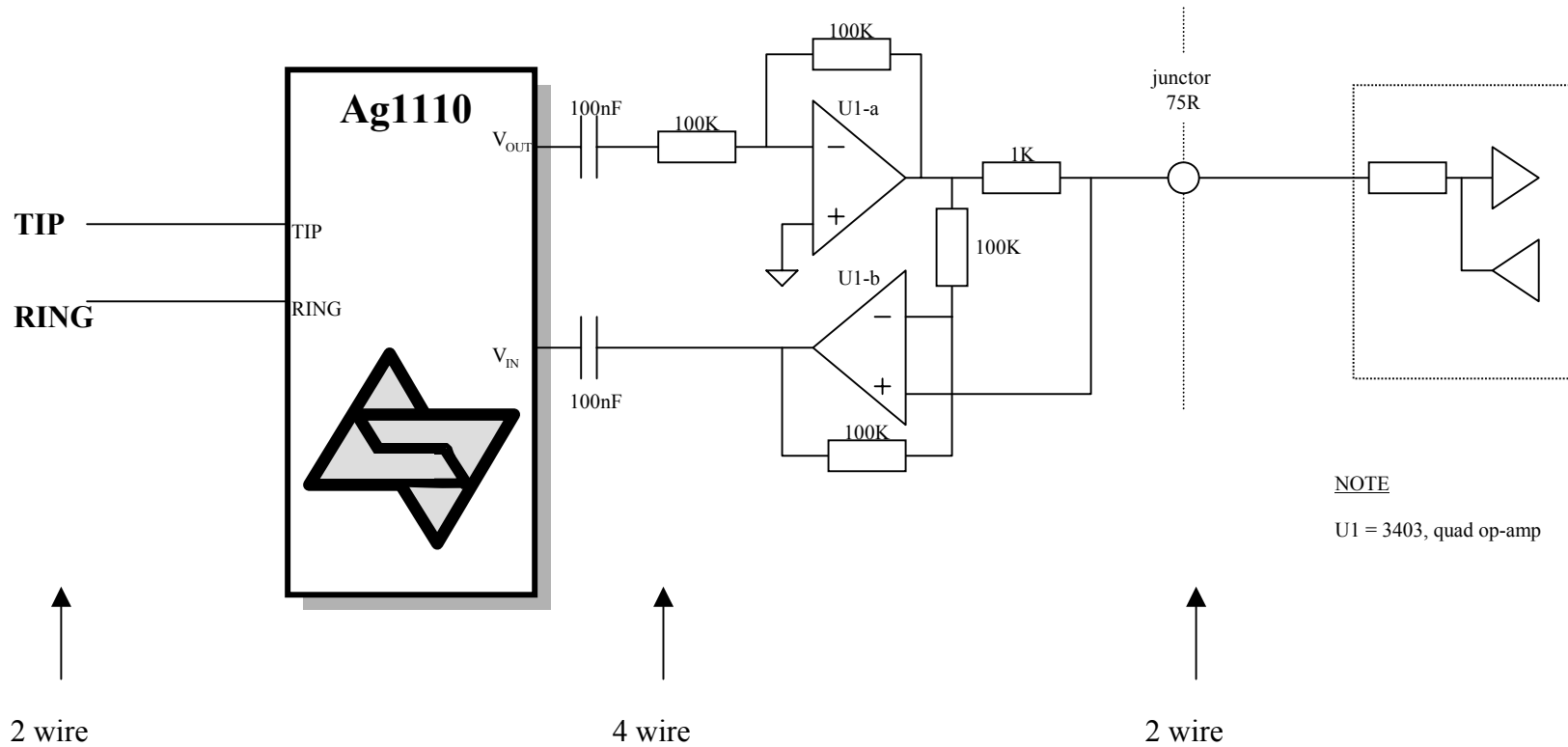


How to use Ag1110 for 2Wire to 2Wire?



NOTE

U1 = 3403, quad op-amp