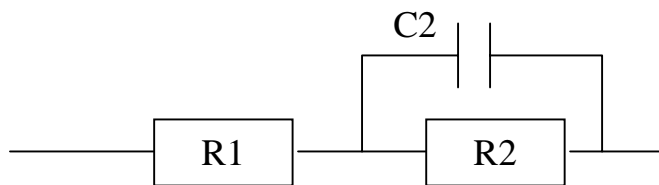
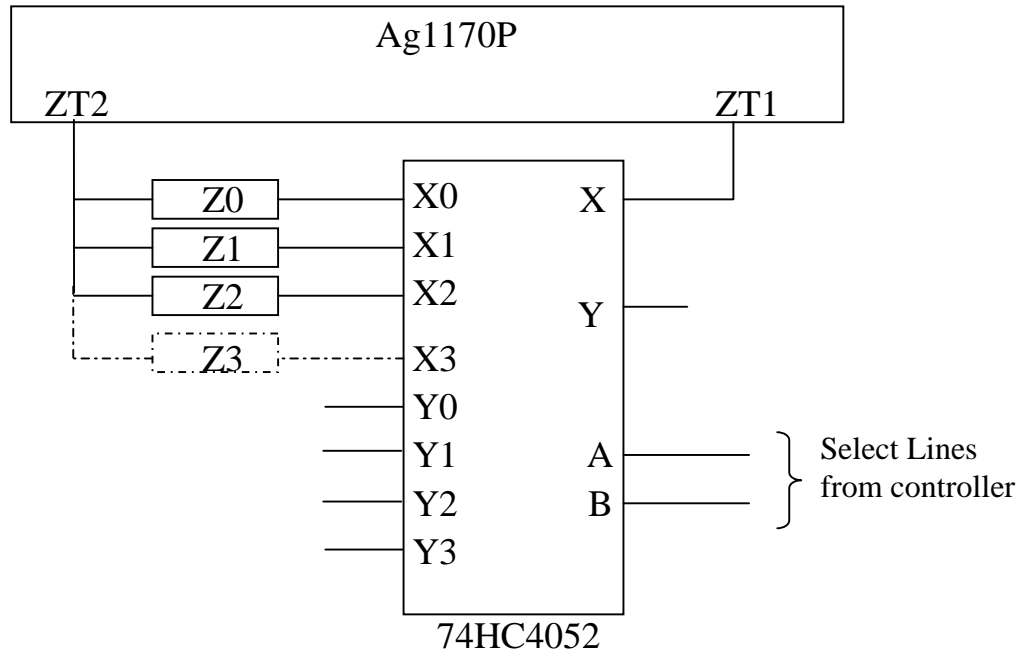


Ag1170P - 4 Programmable Termination Impedances



Impedance "Zn"
 NF = Not Fitted
 SC = Short Circuit
 Resistors = 0603, 1%
 Capacitors = 0603, 5%, X7R, 16V

These 3 impedances will cover the requirements of more than 90% of the world.
 The fourth impedance can be chosen by the customer to meet any specific requirements.

Impedance	R1	R2	C2	Country
600R	62K	SC	NF	USA, Korea, Taiwan
900R	91K	SC	NF	Brazil
200R + (620R//100nF)	20K	62K	1nF	China (CO and PBX), Europe, South Africa, Australia
???	?	?	?	Customer choice

Component cost for 3 selectable impedances = \$0.17

Item	Qty	Cost ea.	Total Cost
74HC4051	1	\$0.15	\$0.15
Resistor	4	\$0.002	\$0.008
Capacitor	1	\$0.01	\$0.01
(Costed at 10K qty)			