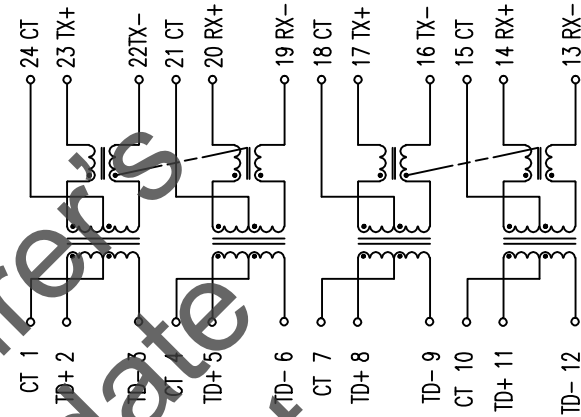


SUGGESTED PAD LAYOUT



* RoHS COMPLIANT

ELECTRICAL CHARACTERISTICS @25°C :

- INSULATION HI-POT : 1500 Vrms/0.5mA ,60Sec.
- TURN RATIO (±5%) : 1CT : 1CT
- OCL : : (@100kHz, 0.1Vrms, 8mA DC Bias) : 120uH MIN.
(@100kHz, 0.1Vrms, 15mA DC Bias) : 100uH MIN
- CROSS TALK (dB MIN.) : 1-500MHz : -25
- INSERTION LOSS : 1-1MHz : -3.0dB MAX. 1-200MHz : -1.2dB MAX.
200-300MHz : -1.5dB MAX. 300-400MHz : -2.0dB MAX.
400-500MHz : -3.0dB MAX.
- RETURN LOSS : 0.3-100MHz : -18dB MIN. 100-200MHz : -16dB MIN.
200-300MHz : -12dB MIN. 300-400MHz : -10dB MIN.
400-500MHz : -8dB MIN.
- DIFFERENTIAL TO COMMON MODE REJECTION (dB MIN.) : 1-500MHz : -20
- LK(100kHz, 0.1Vrms) : 0.5uH MAX.
- Cv/w (100kHz, 0.1Vrms) : 25pF TYP.
- DCR : 0.9Ω TYP.
- OPERATING TEMPERATURE RANGE : 0°C~+70°C

IEEE802.3at PoE++ COMPLIANT PERFORMANCE 1A DC Balanced Current AT 57VDC(50W MAX/PAIR, TOTAL 100W MAX)

Refer to manufacturer's website for up to date version of datasheet

					AOEM		TITLE 10G BASE-T PoE++ TRANSFORMER	
							DWG. NO. ATPL-511PR	
RELEASE			08/30/2017	SHIRLEY	BETTY	BETTY	UNITS: M/M	SAFETY
NO:	DESCRIPTION	DATE	BY	CHK	APPD	DATE	P/N:	SHEET 1 OF 1
REVISIONS						08/30/17		DRAW SHIRLEY