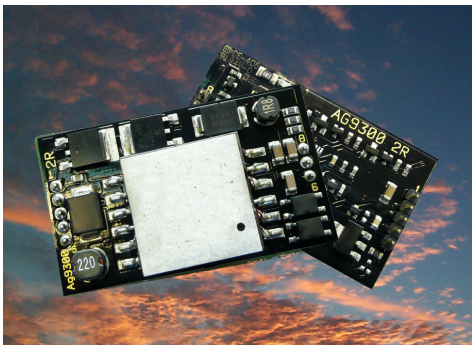


Ag9300

V2.2
March 09

PoE module for Security Cameras & Systems



- **3 Input PSU Module for Security - PoE, 12V dc & 24V ac**
- **Single Isolated DC/DC providing low cost and small size**
- **IEEE802.3af compliant**
- **Auxiliary input voltage - 12V to 48V**
- **Small Dual In-Line (DIL) package size – 50.6mm (L) x 30mm (W)**
- **Overload and short-circuit protection**
- **Adjustable Output**
- **Thermal Cut Off**
- **High efficiency DC/DC converter**
- **1500Vdc isolation (input to output)**
- **Simple integration**

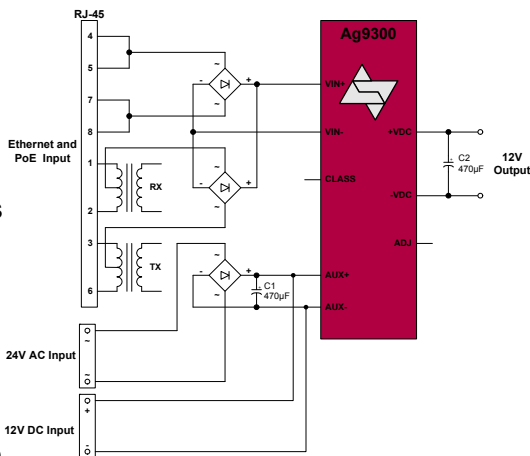
This module is ideal for Security cameras etc. where the standard 12 to 48V supply is used as a backup or as an installation option.

The Ag9300 Power-over-Ethernet (PoE) module is designed to extract power from a conventional twisted pair Category 5 Ethernet cable, conforming to the IEEE 802.3af PoE standard. In

addition to the POE input the Ag9300 also provides an auxiliary input that will accept a dc voltage from 12V to 48V or a comparable ac voltage (after external rectification).

The Ag9300 signature and control circuit provides the PoE compatibility signature and power classification required by the Power Sourcing Equipment (PSE) before applying up to 15W power to the port. The Ag9300 is compatible with Class 0 to Class 3 equipment.

The high efficiency DC/DC converter operates over a wide input voltage range with a low ripple and low noise output. The DC/DC converter also has built-in output overload, output short-circuit and over-temperature protection and provides a 1500Vdc (input to output) isolation barrier.



Power and Analogue Solutions

<http://www.silvertel.com/>

 Silvertel

Note: The device specifications are based on preliminary data and are subject to change. Contact Silver Telecom Representative for up-to-date information.